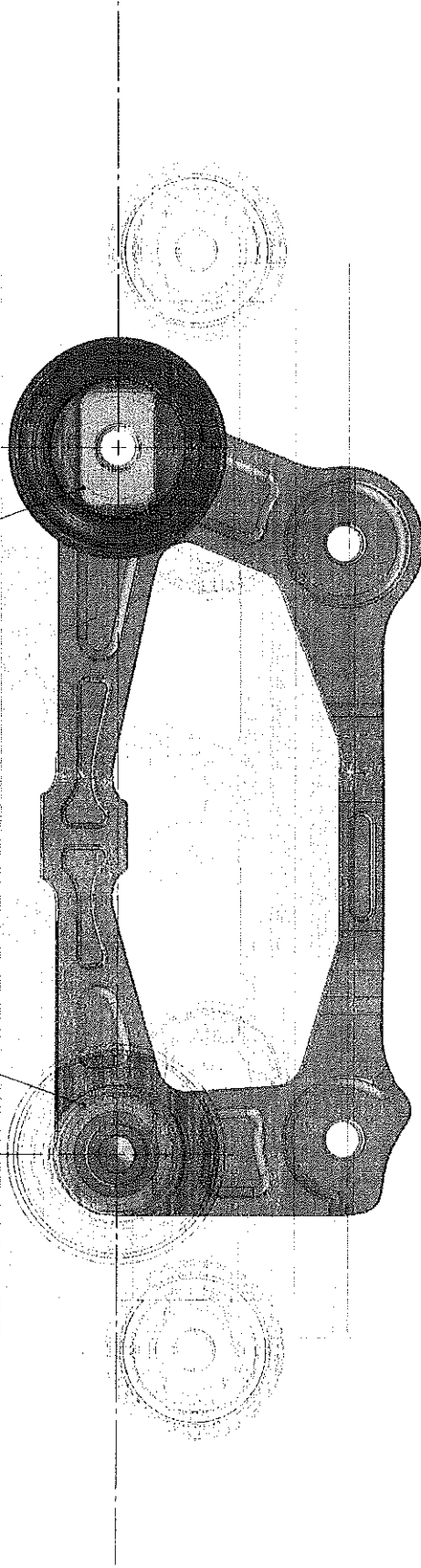



Align bushings horizontal
04.00.0021.6B&04.0021.7B

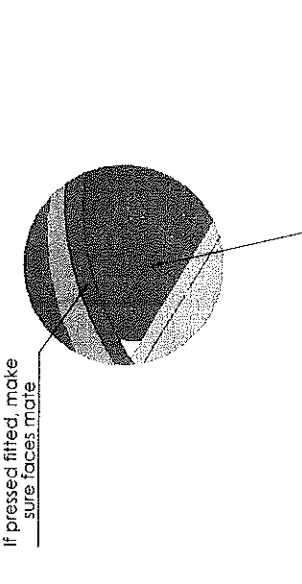
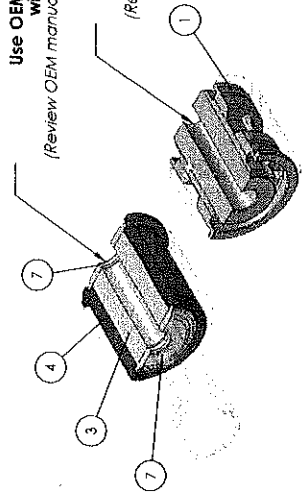


Note:		Part:	04.00.00201A - BMW M4 SF Bracket set diff
Projection:		Drawn:	RK
If in doubt ASK		Sheet scale:	1:5
			2 / 2

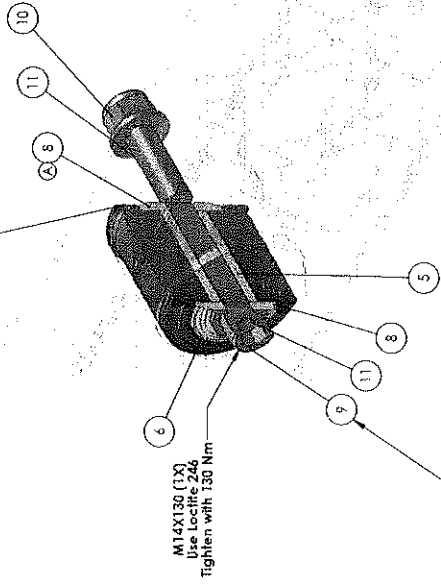
See next sheet (2/2) for additional mounting instructions

Use OEM bolts M12X1.5X90 with Loctite 246 (Review OEM manual for further mounting instructions)

Use OEM bolts M12X1.5X80 with Loctite 246 (Review OEM manual for further mounting instructions)



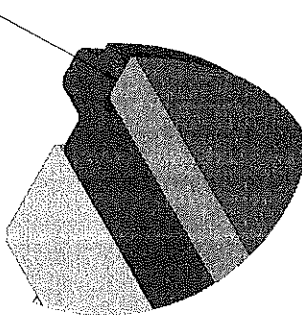
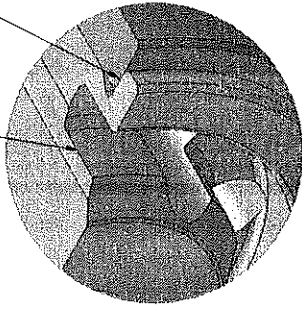
If pressed fitted, make sure faces mate



Only useable with OEM BMW bracket (Will be replaced by M14X94 with bracket set, 04.00.00201)

If pressed fitted, make sure faces mate

If pressed fitted, make sure faces mate



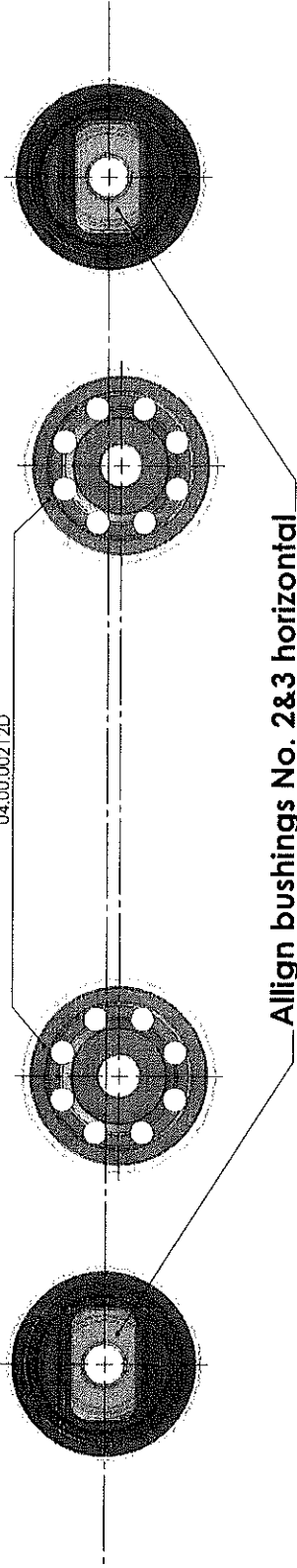
ITEM NO.	PART NUMBER	DESCRIPTION	QTY.
1	04.00.00212D - BMW M4 SF Bushing static 49X54X12.5		2
2	04.00.00213B - BMW M4 SF Bushing 49 int 33X12.5		1
3	04.00.00214B - BMW M4 SF Bushing 49 int 34X12.5		1
4	04.00.00215 - BMW M4 SF Bushing 49 ext 54X12		2
5	04.00.00217B - BMW M4 SF Bushing 66 int 38X14.5		1
6	04.00.00218A - BMW M4 SF Bushing 66 ext 63.3X14		1
7	04.00.00219 - BMW M4 SF Ring M12-40X3.5		4
8	04.00.00220A - BMW M4 SF Ring M14-44X5		2
9	82.01.14130 - BZK M14X130 CIL 12.9		1
10	83.6.1.14001 - M14 Nylon mose ELVZ		1
11	87.03.14001 - M14 Sliding ELVZ		2

REV.	DESCRIPTION	DATE	APPROVED
1	04.00.00201 Replaced by 04.00.00200	14-3-2015	RK

Note:	Date: 12-4-2016	Part: 04.00.00200A - BMW M4 SF Bushing set diff
Projection:	Drawn: RK	A3
P in decim: 0.2 / 25	Back up paper: 0.2 / 25	Sheet scale: 1:5
		1 / 2

Mounts final drive front

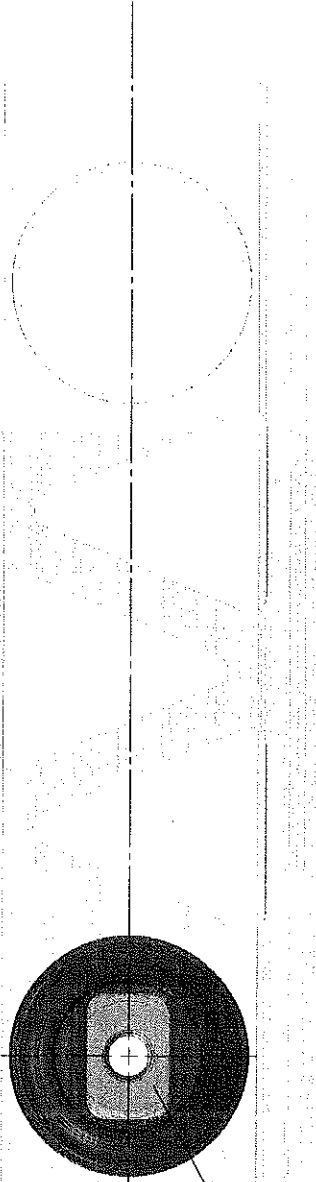
Align bushings No. 1 horizontal
(04.00.0021.2D)



Align bushings No. 2&3 horizontal
(04.00.0021.3B&04.0021.4B)

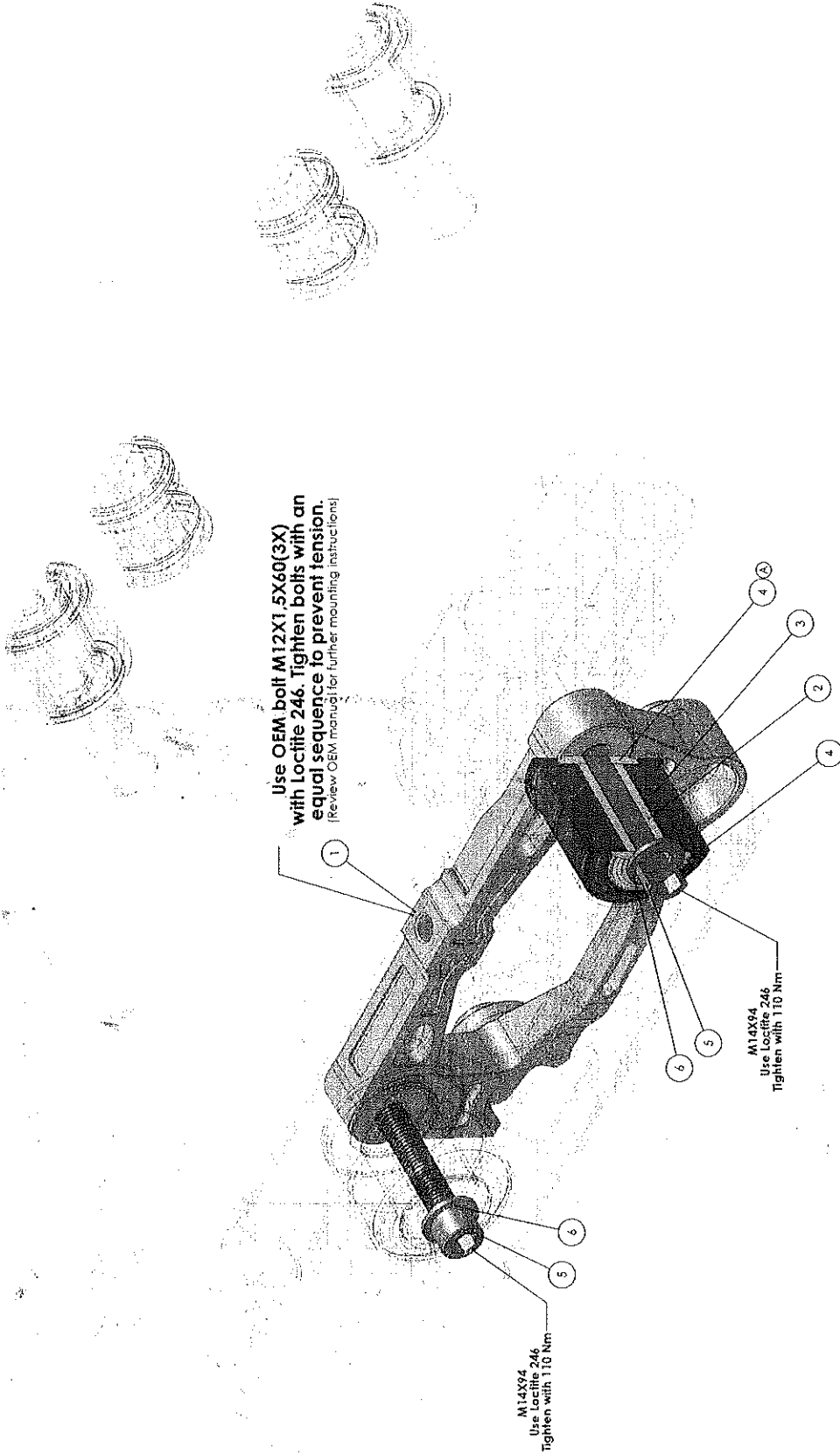
Mount final drive rear

Align bushing No. 5 horizontal
(04.00.0021.7B)



Note:		Part:	04.00.00200A - BMW M4 SF Bushing set diff
Projection:		Drawn:	
In: decim,ASK		RK	
		Break: none, angle:	
		0.5 / 45°	
		Sheet scale:	1:5
			A3
			2 / 2

See next sheet (2/2) for additional mounting instructions



REV.	DESCRIPTION	DATE	APPROVED
1	04.00.00211A - BMW M4 SF Bracket RI backside diff	12-4-2016	PK
REVISIONS: REV. 1: 04.00.00211A - BMW M4 SF Bracket RI backside diff REV. 2: 04.00.00211A - BMW M4 SF Bracket RI backside diff			
Note: Part: 04.00.00201A - BMW M4 SF Bracket set diff Date: 12-4-2016 Drawn: RK Scale: 1:1		Projection:	
# in sheet: 45K Sheet scale: 1:5		A3 1 / 2	

ITEM NO.	PART NUMBER	DESCRIPTION	QTY.
1	04.00.00211A - BMW M4 SF Bracket RI backside diff		1
2	04.00.002168 - BMW M4 SF Bushing 68 int 37X14,5		1
3	04.00.00218A - BMW M4 SF Bushing 69 ext 63.3X14		1
4	04.00.00200A - BMW M4 SF Ring M14 44X5		2
5	04.00.00222 - BMW M4 SF Socket head bolt M14X94		2
6	87.03.14001 - M14 Slitting ELVZ		2