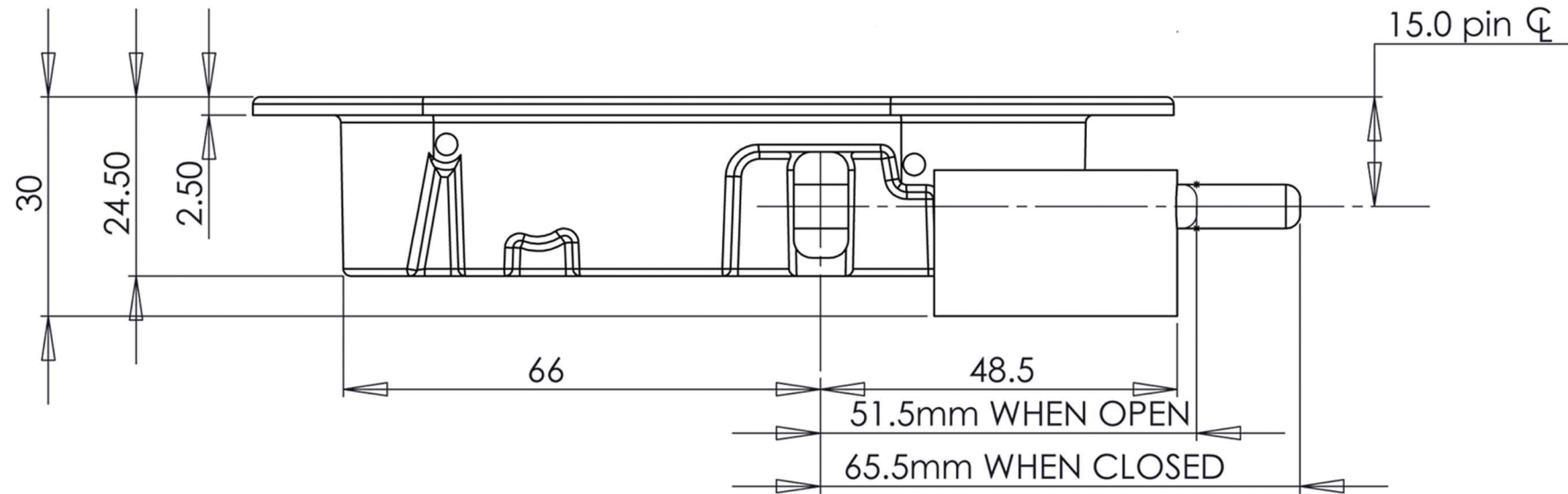


Panel cut-out



NOT TO SCALE

A		FIRST ISSUE		
ISSUE	ECN NO.-	REVISION	BY	DATE
		PROJECTION: THIRD ANGLE	<small>THE DOCUMENT AND COPYRIGHT HEREIN ARE THE PROPERTY OF CLARENDON SPECIALTY FASTENERS LTD AND MAY ONLY BE USED OR COPIED IF AUTHORISED IN WRITING BY CLARENDON SPECIALTY FASTENERS LTD</small>	
		DWG NO. 220 SERIES	A3	
		SCALE:	SHEET 1 OF 1	

Clarendon
Specialty Fasteners
Unit D, Seymour Wharf, Steamer Quay
Road Totnes, Devon, TQ9 5AL

TOLERANCES:

UNLESS OTHERWISE SPECIFIED:
DIMENSIONS ARE IN MILLIMETRES

LINEAR:	
METRIC	INCH
X ±0.50	X ±.020
X.X ±0.25	.XX ±.010
X.XX ±0.12	.XXX ±.005

ALL TOOL TIP RADII R0.4 UNLESS OTHERWISE STATED

ANGULAR: ± 1°

TITLE: **AEROCATCH 2**
220 SERIES ABOVE PANEL DIMENSIONS AND PANEL CUT-OUT

DRAWN	DATE	MATERIAL:
APPVD	DATE	TREATMENT:
		FINISH: