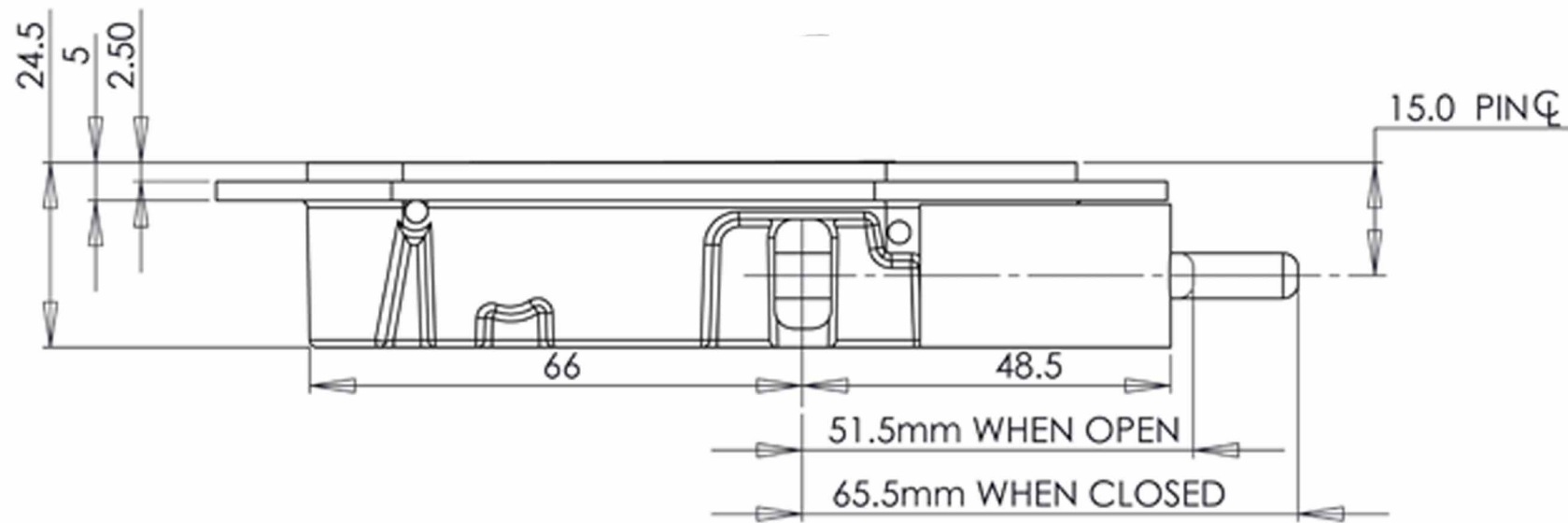


**Panel cut-out**



NOT TO SCALE

A		FIRST ISSUE		
ISSUE	ECN NO.-	REVISION	BY	DATE
		PROJECTION: THIRD ANGLE		
		DWG NO. <b>225 SERIES</b>	A3	
		SCALE: 2:1	SHEET 1 OF 1	

**Clarendon**  
Specialty Fasteners  
Unit D, Seymour Wharf, Steamer Quay  
Road Totnes, Devon, TQ9 5AL

**TOLERANCES:**

UNLESS OTHERWISE SPECIFIED:  
DIMENSIONS ARE IN MILLIMETRES

LINEAR:	
METRIC	INCH
X - ±0.50	X - ±.020
X.X - ±0.25	.XX - ±.010
X.XX - ±0.12	.XXX - ±.005

ALL TOOL TIP RADII R0.4 UNLESS OTHERWISE STATED

ANGULAR: ± 1°

TITLE: **AEROCATCH 2**  
**225 SERIES FLUSH, DIMENSIONS AND PANEL CUT-OUT**

DRAWN	DATE	MATERIAL:
-	-	-
APPVD	DATE	TREATMENT:
-	-	-
		FINISH:
		-

THE DOCUMENT AND COPYRIGHT HEREIN ARE THE PROPERTY OF CLARENDON SPECIALTY FASTENERS LTD AND MAY ONLY BE USED OR COPIED IF AUTHORISED IN WRITING BY CLARENDON SPECIALTY FASTENERS LTD