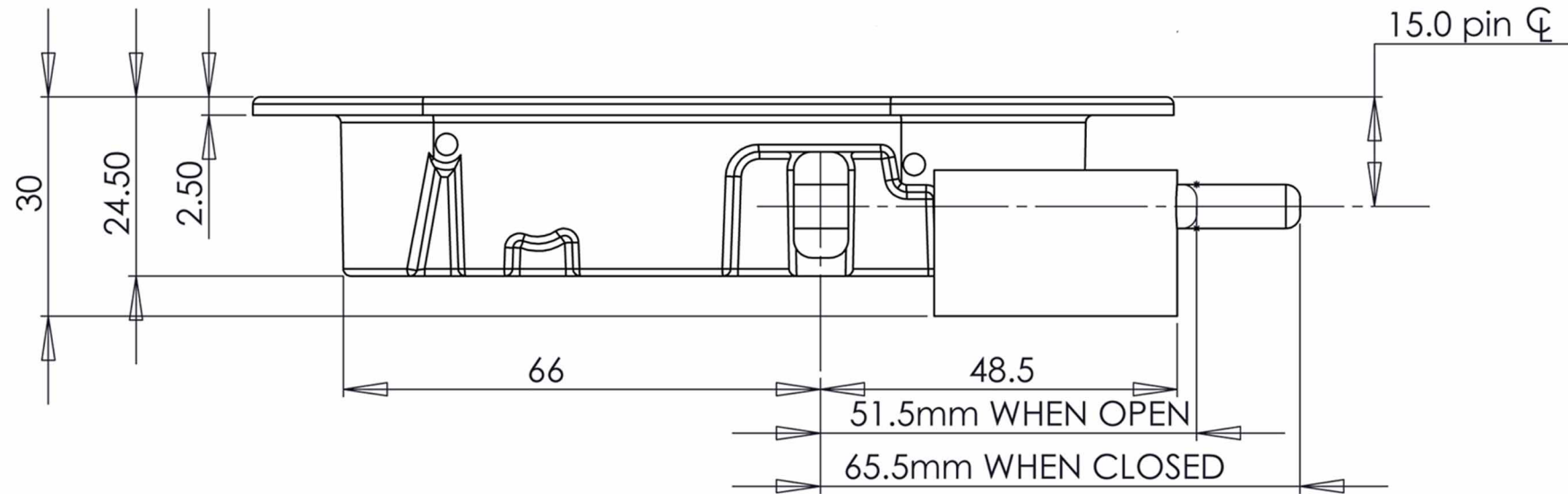


Panel cut-out



NOT TO SCALE

A		FIRST ISSUE		
ISSUE	ECN NO.-	REVISION	BY	DATE
DRAWN		DATE		MATERIAL:
APPVD		DATE		TREATMENT:
				FINISH:
TITLE:		AEROCATCH 2		
UNLESS OTHERWISE SPECIFIED:		DIMENSIONS ARE IN MILLIMETRES		
SURFACE FINISH:		1.6/		
ALL TOOL TIP RADII R0.4 UNLESS OTHERWISE STATED		ANGULAR: ± 1°		
TOLERANCES:		LINEAR:		
		METRIC		
		INCH		
		X - ±0.50		
		X.X - ±0.25		
		X.XX - ±0.12		
		X - ±.020		
		.XX - ±.010		
		.XXX - ±.005		
PROJECTION:		THIRD ANGLE		
DWG NO.		220 SERIES		
SCALE:		SHEET 1 OF 1		
		A3		

Clarendon
Specialty Fasteners
Unit D, Seymour Wharf, Steamer Quay
Road Totnes, Devon, TQ9 5AL

TOLERANCES:
UNLESS OTHERWISE SPECIFIED:
DIMENSIONS ARE IN MILLIMETRES

TITLE:
AEROCATCH 2
220 SERIES PLUS FLUSH DIMENSIONS AND PANEL CUT-OUT

PROJECTION:
THIRD ANGLE

DWG NO.
220 SERIES

SCALE:
SHEET 1 OF 1

A3