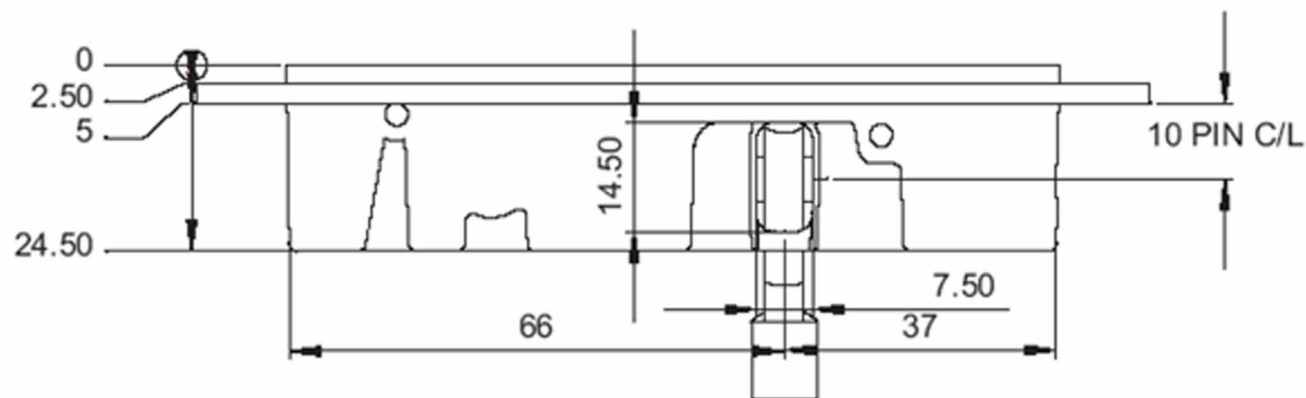


Panel cut-out



NOT TO SCALE

ISSUE	ECN NO.-	REVISION	BY	DATE
A		FIRST ISSUE		
DWG NO.		125 SERIES	A3	
SCALE:		SHEET 1 OF 1		

Clarendon
Specialty Fasteners
Unit D, Seymour Wharf, Steamer Quay
Road Totnes, Devon, TQ9 5AL

TOLERANCES:
UNLESS OTHERWISE SPECIFIED:
DIMENSIONS ARE IN MILLIMETRES

LINEAR:
METRIC INCH
X ±0.50 X ±.020
X.X ±0.25 .XX ±.010
X.XX ±0.12 .XXX ±.005

ANGULAR: ± 1°

SURFACE FINISH: $\sqrt{1.6}$
ALL TOOL TIP RADII R0.4 UNLESS OTHERWISE STATED

TITLE:
AEROCATCH 125 SERIES FLUSH, DIMENSIONS AND PANEL CUT-OUT

DRAWN	DATE	MATERIAL:
-	-	-
APPVD	DATE	TREATMENT:
-	-	-
		FINISH:
		-

PROJECTION:
THIRD ANGLE

THE DOCUMENT AND COPYRIGHT HEREIN ARE THE PROPERTY OF CLARENDON SPECIALTY FASTENERS LTD AND MAY ONLY BE USED OR COPIED IF AUTHORISED IN WRITING BY CLARENDON SPECIALTY FASTENERS LTD