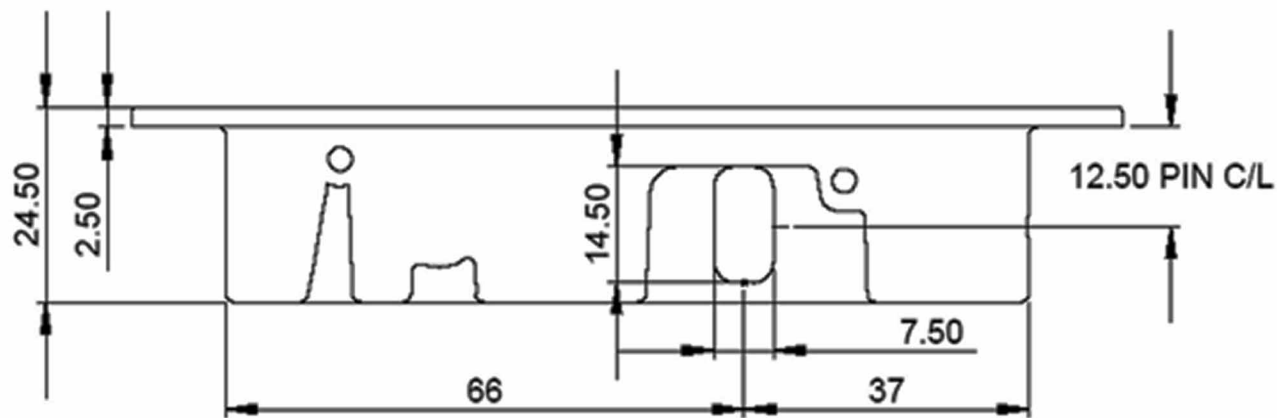


**Panel cut-out**



NOT TO SCALE

A		FIRST ISSUE			
ISSUE	ECN NO.-	REVISION		BY	DATE
		PROJECTION:		THE DOCUMENT AND COPYRIGHT HEREIN ARE THE PROPERTY OF CLARENDON SPECIALTY FASTENERS LTD AND MAY ONLY BE USED OR COPIED IF AUTHORISED IN WRITING BY CLARENDON SPECIALTY FASTENERS LTD	
		DWG NO. 120 SERIES		A3	
		SCALE: SHEET 1 OF 1			

**Clarendon**  
Specialty Fasteners  
Unit D, Seymour Wharf, Steamer Quay  
Road Totnes, Devon, TQ9 5AL

**TOLERANCES:**  
UNLESS OTHERWISE SPECIFIED:  
DIMENSIONS ARE IN MILLIMETRES

LINEAR:  
METRIC INCH  
X - ±0.50 X - ±.020  
X.X - ±0.25 .XX - ±.010  
X.XX - ±0.12 .XXX - ±.005

ANGULAR: ± 1°

ALL TOOL TIP RADII R0.4 UNLESS OTHERWISE STATED

TITLE: AEROCATCH 120 SERIES PLUS FLUSH DIMENSIONS AND PANEL CUT-OUT

DRAWN	DATE	MATERIAL:
-	-	-
APPVD	DATE	TREATMENT:
-	-	-
		FINISH:
		-